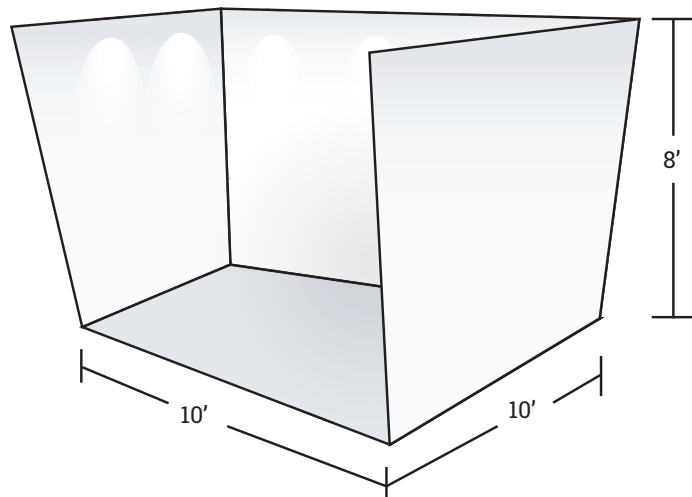


GIFT + HOME MARKET ALBERTA

BOOTH DISPLAY STANDARDS

Exhibitors are responsible for making suitable arrangements for a booth structure, be it with rigid walls or fabric. **Please note that there are no dividers (curtains or poles) to separate your booth from your neighbors and you are not permitted to use the walls of your neighbors, so please ensure you have a booth and carpet ordered if you do not have your own structure.** If fabric walls are used, you must supply your own and they must be fire retardant. Poles and sliders (the structure from which to hang them) can be rented from our official supplier, GES Canada.

- ▶ All exhibit structures must have self supporting walls exactly 8' high extending the full width and depth of the booth, except where an open corner exists.
- ▶ Carpet or flooring must cover the entire display area.
- ▶ If the above criteria are not met, show management has the right to halt set up and the exhibitor will be asked to rent a booth structure from our display company at their own expense.



These rules are to encourage exhibitors to use their creativity and present a unique, visually attractive display which will appeal to retailers. **Please take the time to ensure that your display will meet these regulations to prevent unnecessary work on show site.**

Visit the online Exhibitor Toolkit for more information.

- ▶ Go to albertagiftfair.org
- ▶ Select Exhibitors/Exhibitor Toolkit
- ▶ Click on my forms

For a quote or to order your booth from GES Canada, please call Vanessa Beier, Exhibitor Services Executive at 780.577.4532

Produced by



**CANADIAN GIFT
ASSOCIATION™**

42 Voyager Court South, Toronto, ON M9W 5M7
Phone: 416.679.0170 Toll free: 800.611.6100
Fax: 416.385.1851 Email: alberta@cangift.org

